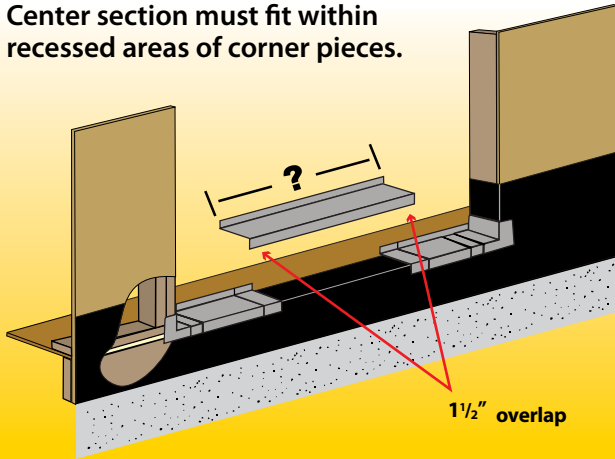


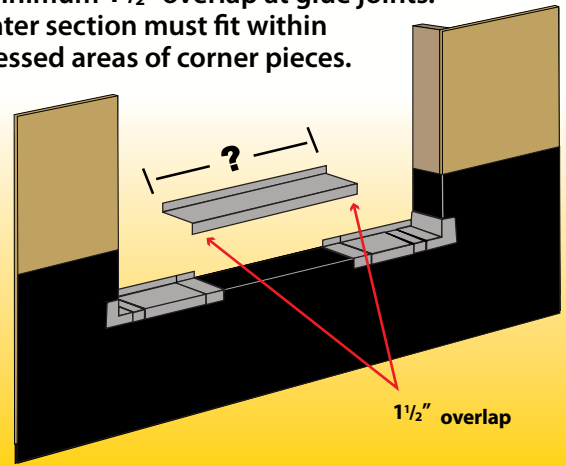
Doors

1. Install lower course of house-wrap. Place left and right corners tight against framing. Measure center section and cut if necessary maintaining a minimum 1½" overlap at glue joints. Center section must fit within recessed areas of corner pieces.

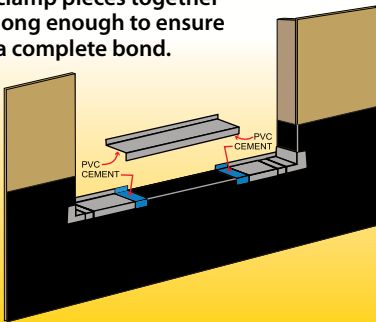


Windows

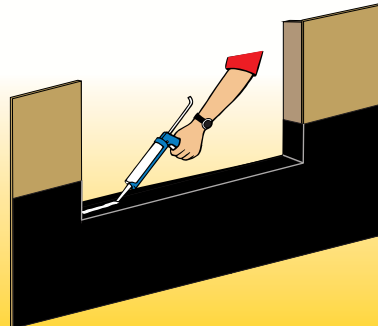
1. Install lower course of house-wrap. Place left and right corners tight against framing. Measure center section and cut if necessary maintaining a minimum 1½" overlap at glue joints. Center section must fit within recessed areas of corner pieces.



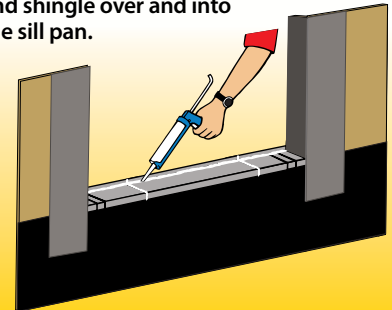
2. Apply PVC cement to the recessed areas of the corner pieces and the underside of the center section where it overlaps the recessed areas. Hold or clamp pieces together long enough to ensure a complete bond.



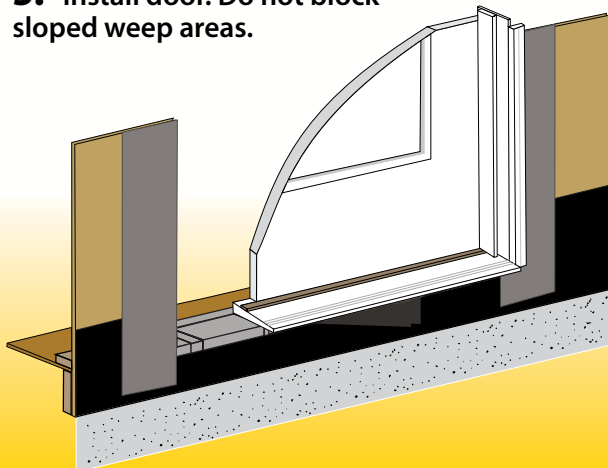
3. Remove pan and apply caulking where the pan will contact the framing. Set pan in caulking.



4. Apply caulking to interior edge of pan to seal window frame/door sill to pan. Apply caulking to glue joints for added protection. Adhere flexible flashing to sides of opening, wrapping around from sheathing to studs and shingle over and into the sill pan.



5. Install door. Do not block sloped weep areas.



5. Install window. Do not block sloped weep areas.

