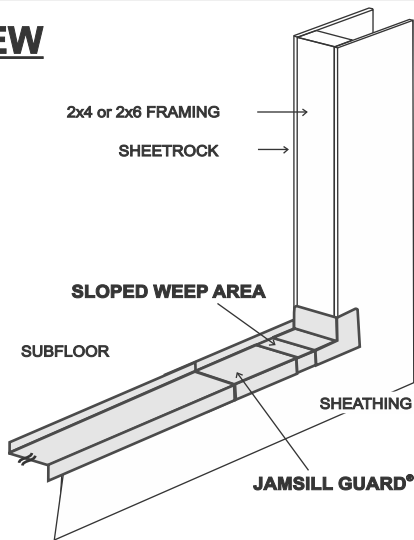


Jamsill Guard®

The ORIGINAL Sill Pan Flashing Since 1983!

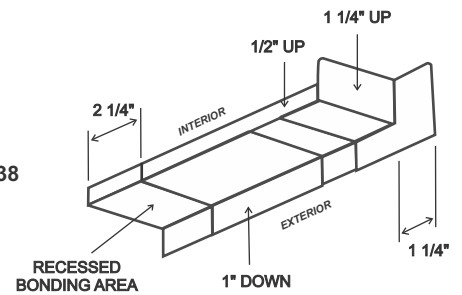
TECHNICAL / DIMENSIONS

OVERVIEW

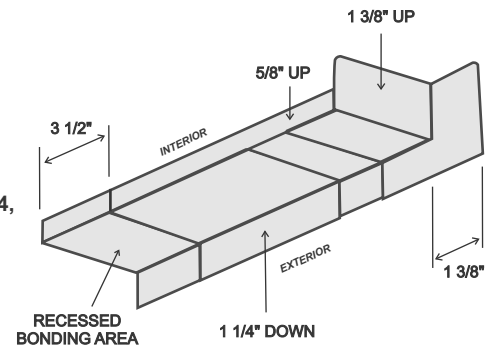


DIMENSIONS

SERIES
#118, #178, #238



SERIES
#314, #358,
#418, #4916, #514,
#6916, #61316



THICKNESS

Center Extrusion

#118 - #238 Series	.045 - .050
#314 - #61316 Series	.060 - .065

One-Piece Molded Corners

#118 - #238 Series	.045 - .090
#314 - #61316 Series	.060 - .125

DEPTHS

#118 Series - 1 1/8"



#178 Series - 1 7/8"



#238 Series - 2 3/8"



#314 Series - 3 1/4"



#358 Series - 3 5/8"



#418 Series - 4 1/8"



#4916 Series - 4 9/16"



#514 Series - 5 1/4"



#6916 Series - 6 9/16"



#61316 Series - 6 13/16"

