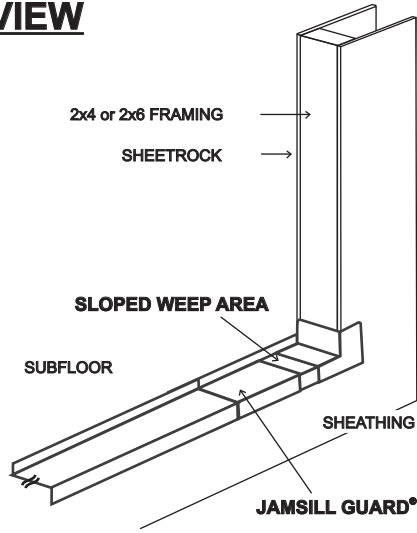


Jamsill Guard®

The ORIGINAL Sill Pan Flashing Since 1983!

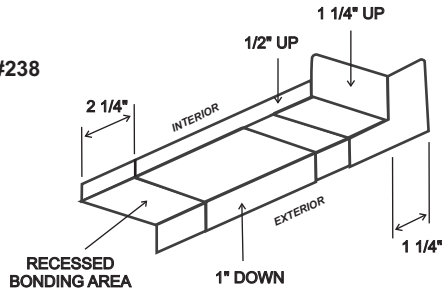
TECHNICAL / DIMENSIONS

OVERVIEW

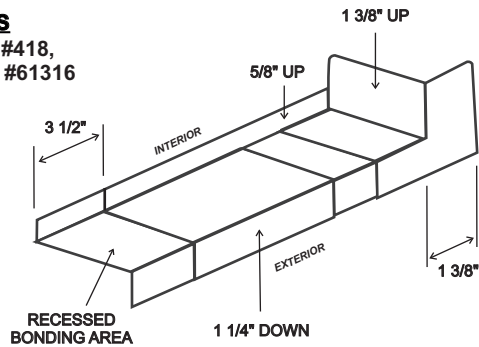


DIMENSIONS

SERIES
#118, #178, #238



SERIES
#314, #358, #418,
#4916, #6916, #61316



DEPTH

#118 Series - 1 1/8"



#178 Series - 1 7/8"



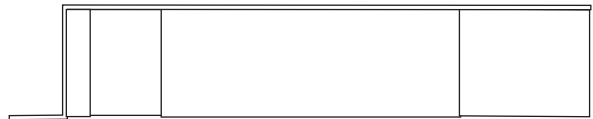
#238 Series - 2 3/8"



#314 Series - 3 1/4"



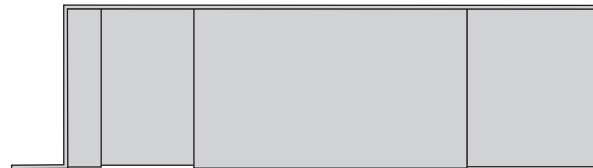
#358 Series - 3 5/8"



#418 Series - 4 1/8"



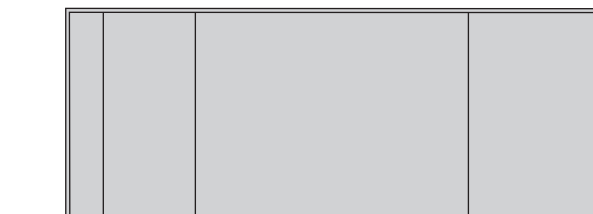
#4916 Series - 4 9/16"



#6916 Series - 6 9/16"



#61316 Series - 6 13/16"



THICKNESS

One-Piece Molded Corners-

#118, #238 .045 - .090

#314, #358, #418, #4916, #6916 .060 - .125

Extrusion-

ALL SERIES .060 - .065